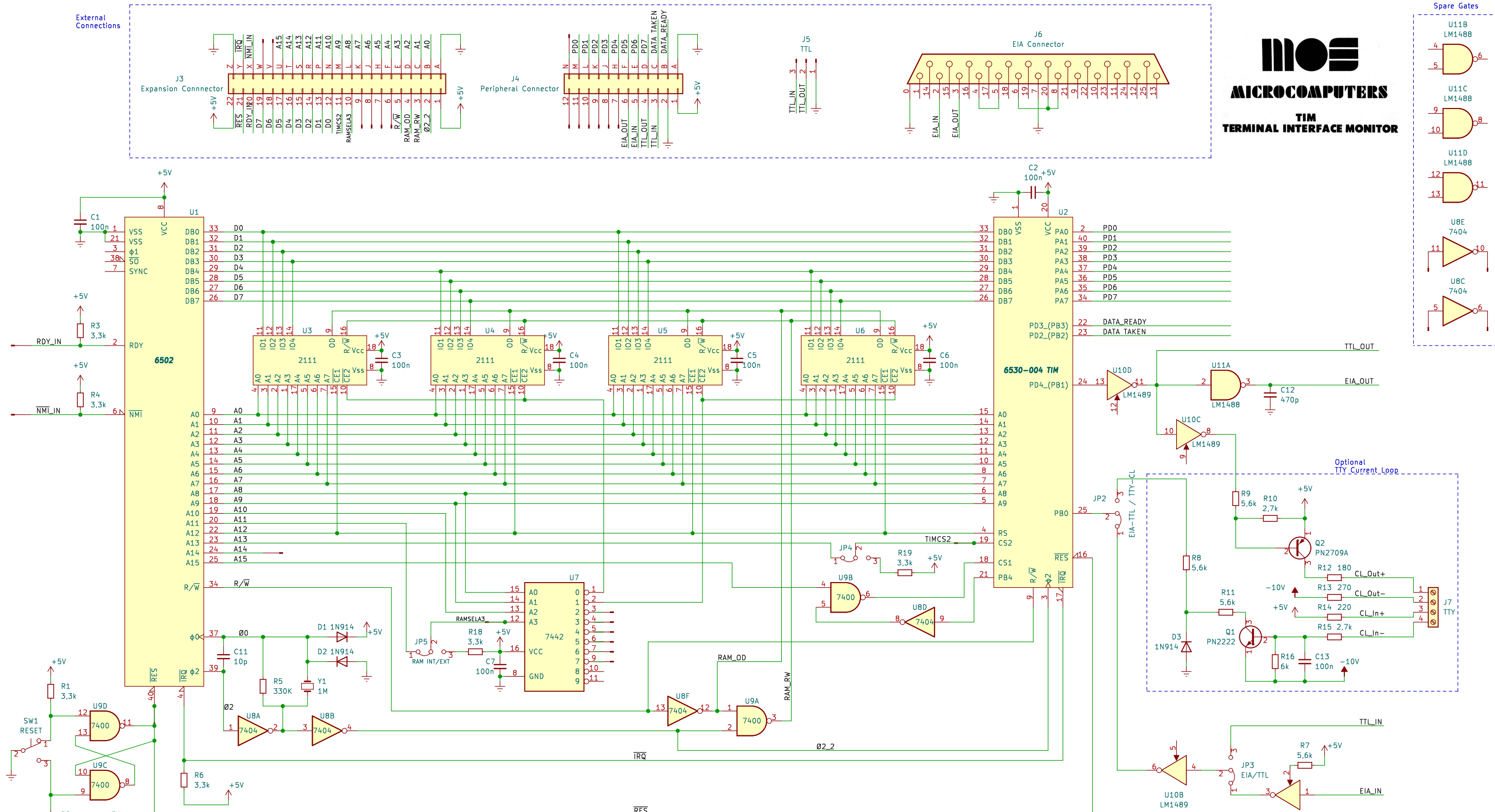
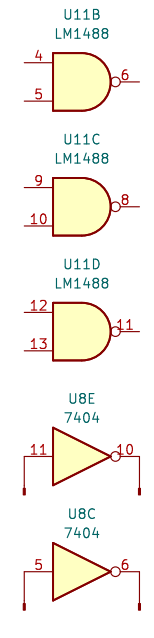




# MICROCOMPUTERS

## TIM TERMINAL INTERFACE MONITOR

Spare Gates



- NOTES**
- TIM CHIP SELECT EQUATIONS**  
ROM = RS · CS1 · CS2  
RAM = RS · CS1 · CS2 · A9 · A8 · A7 · A6  
I/O = RS · CS1 · CS2 · A9 · A8 · A7 · A6
  - SYSTEM MEMORY MAP**  
0000-01FF = RAM  
6E00-6E0F = TIM I/O  
7000-73FF = TIM ROM  
FFC0-FFFF = TIM RAM
  - THE SYSTEM SHOWN CAN BE EXPANDED WITH ADDITIONAL I/O AND MEMORY USING THE ADDRESS BUS, DATA BUS, RAM LINE, ETC.**
  - UTILIZATION OF PB4 AS SHOWN ALLOWS THE RESET VECTOR TO BE FETCHED FROM THE TIM ROM (73FC AND 73FD).**

mister-freeze